
PARTS CATALOG



Gasoline Engine Pump

Model

PTG205T
PTG305

No. 2

 **FUJI HEAVY INDUSTRIES LTD.**

ISSUE EMD-PP0870

FIG. 1 PUMP(PTG205T)

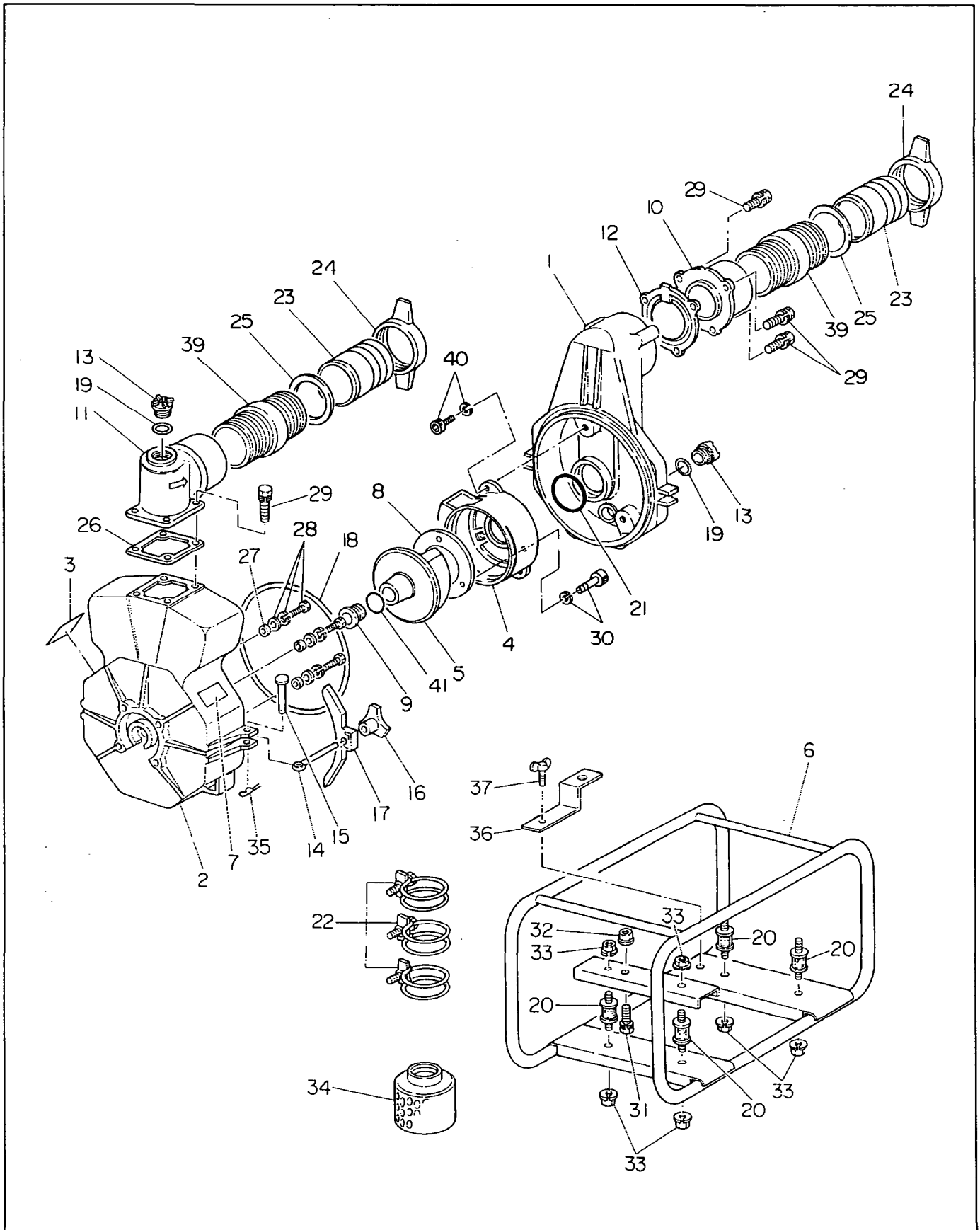


FIG. 1 PUMP(PTG205T)

Interchangeability

Ref. No.	Parts Number	Description	Q'ty	Execution
1	481 - 00000 - 62	CASING	1	# 1763505~
1	480 - 05210 - 01	CASING	1	# 1699606~
1	481 - 00000 - 85	CASING	1	
2	480 - 05210 - 02	CASING COVER	1	# 1699606~
2	481 - 00000 - 86	CASING COVER	1	
3	480 - 85210 - 37	CAUTION PLATE	1	
4	481 - 00000 - 63	INNER CASING	1	# 1763505~
4	480 - 05210 - 03	INNER CASING	1	# 1699606~
4	481 - 00000 - 83	INNER CASING	1	
5	480 - 05210 - 04	IMPELLER	1	
6	481 - 00000 - 43	FRAME	1	
7	482 - 00013 - 03	LABEL, pump name	1	
8	481 - 00000 - 64	LINER	1	# 1763505~
8	480 - 05210 - 07	LINER	1	
9	480 - 05210 - 08	MECHANICAL SEAL	1	
10	481 - 00000 - 65	SUCTION FLANGE (NPT)	1	# 1763505~
10	480 - 05210 - 09	SUCTION FLANGE (PF)	1	
11	481 - 00000 - 66	DELIVERY FLANGE (NPT)	1	# 1763505~
11	480 - 05210 - 10	DELIVERY FLANGE (PF)	1	
12	481 - 00000 - 67	CHECK VALVE	1	# 1763505~
12	480 - 05210 - 11	CHECK VALVE	1	
13	480 - 05010 - 21	PLUG	2	
14	480 - 05210 - 13	COVER BOLT	2	
15	480 - 05210 - 14	RIVET	2	
16	480 - 05210 - 15	KNOB	2	
17	480 - 05210 - 16	CASING COVER HOLDER	2	
18	480 - 05210 - 17	PACKING, casing	1	
19	480 - 05010 - 22	"O" RING	2	
20	480 - 05210 - 19	CUSHION RUBBER	4	
21	480 - 05210 - 20	"O" RING, inner casing	1	# 1699606~
21	481 - 00000 - 84	PACKING, inner casing	1	
22	480 - 05010 - 28	HOSE BAND	3	
23	480 - 05010 - 18	NIPPLE	2	
23	480 - 05210 - 22	NIPPLE (AL)	2	
24	480 - 05010 - 16	COUPLING	2	
24	480 - 05210 - 23	COUPLING (AL - NPT)	2	
25	480 - 05010 - 17	PACKING, nipple	2	
26	480 - 05010 - 20	PACKING, delivery flange	1	
27	480 - 05010 - 06	SEAL PACKING	4	
28	480 - 05010 - 05	BOLT and WASHER ASS'Y (M8 x 48)	4	
28	480 - 05210 - 27	BOLT and WASHER ASS'Y (M8 x 48)	4	
29	480 - 05010 - 14	BOLT and WASHER ASS'Y (M8 x 25)	7	
30	480 - 05210 - 29	SOCKET BOLT (M6 x 16)	3	
31	480 - 05010 - 23	BOLT and WASHER ASS'Y (M8 x 40)	2	

FIG. 1 PUMP(PTG205T)

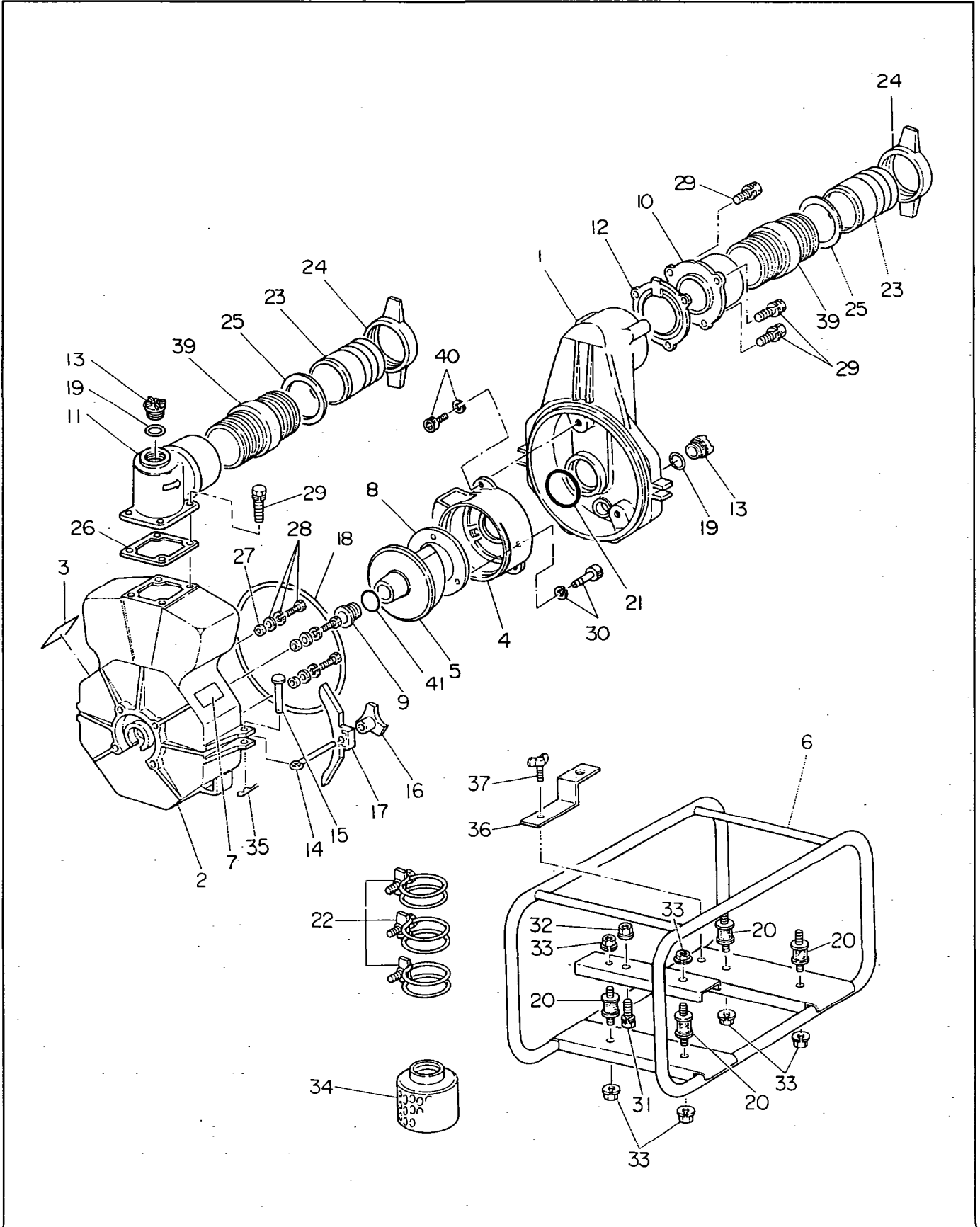


FIG. 2 CRANKCASE

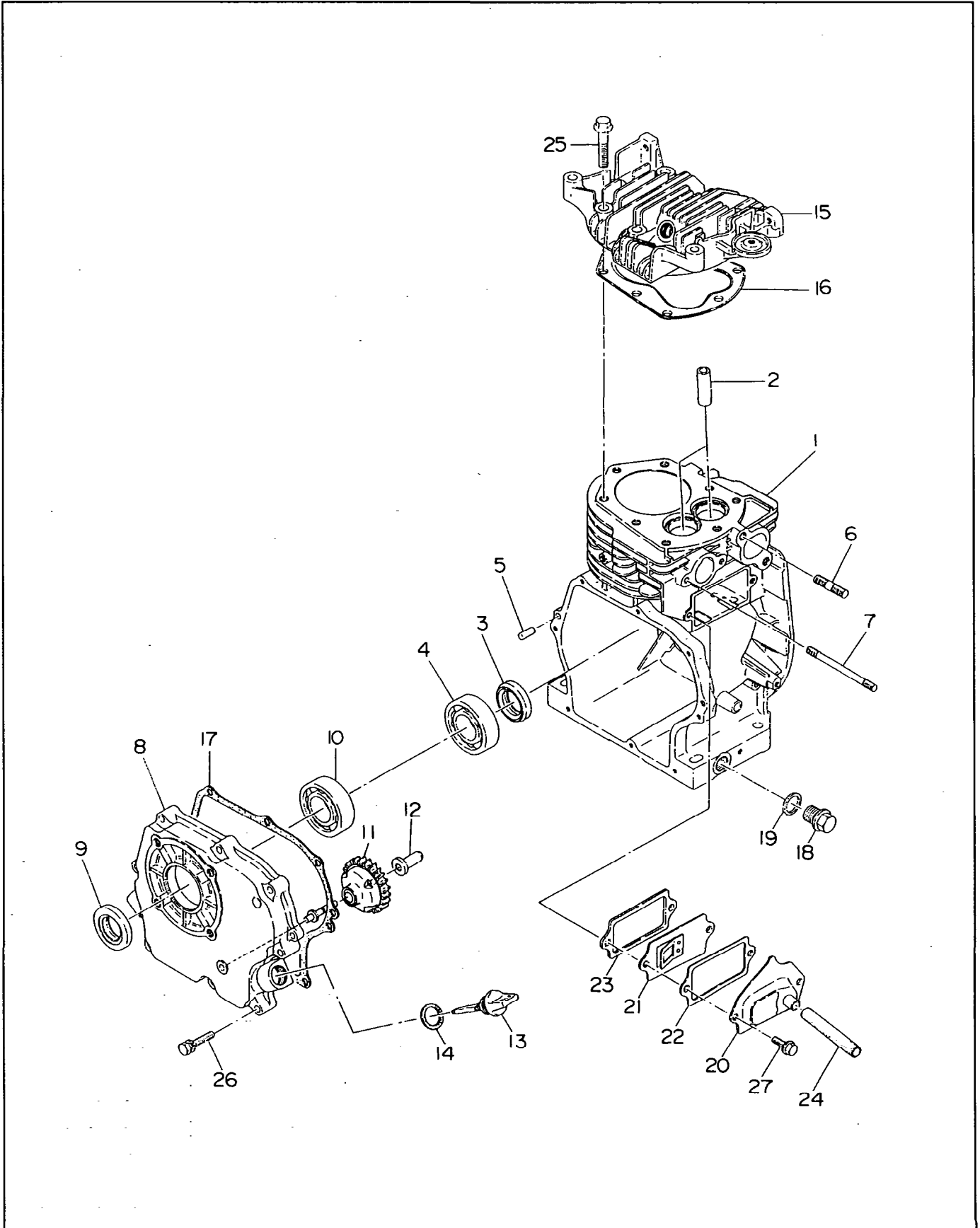


FIG. 3 CRANKSHAFT and PISTON

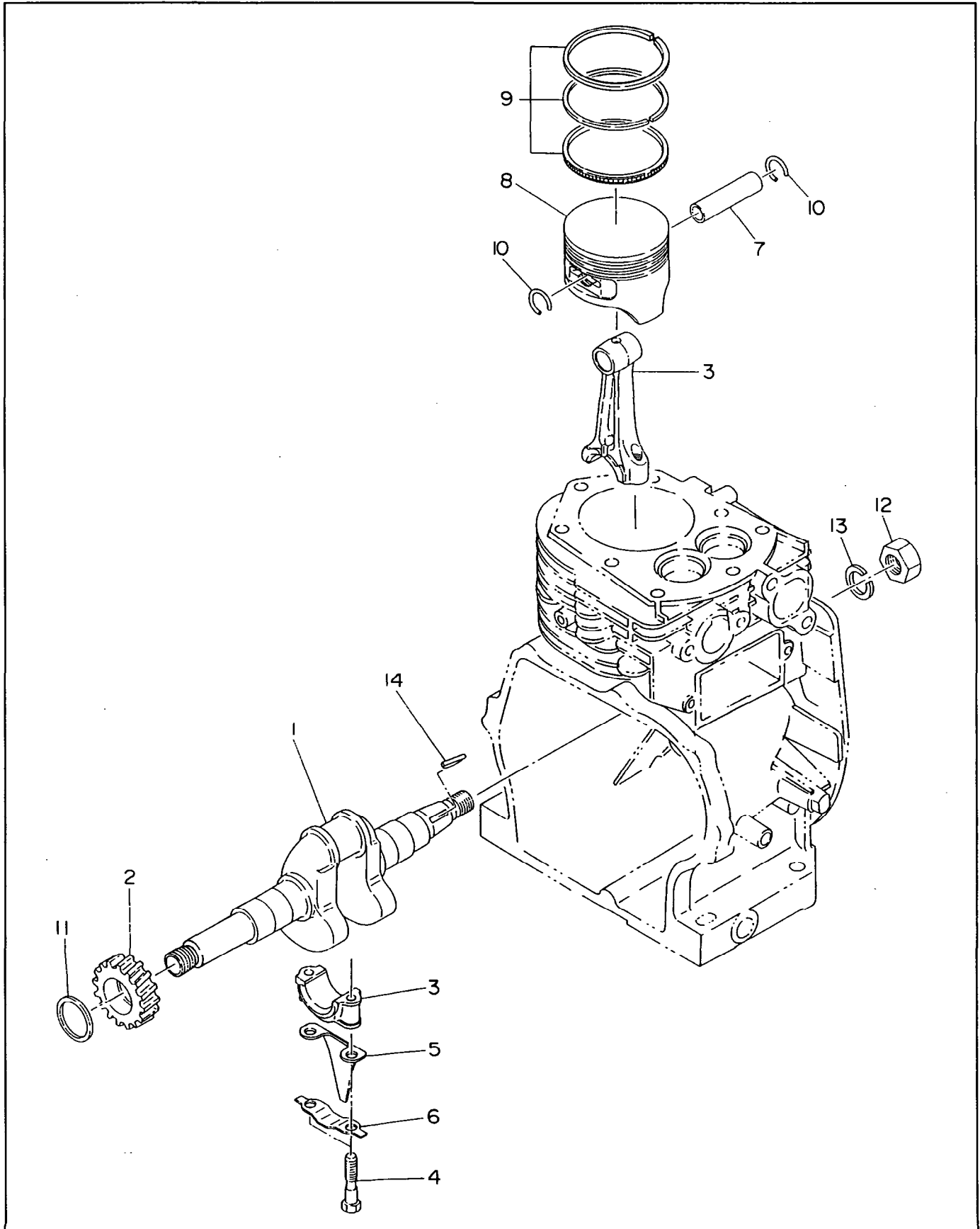


FIG. 4 INTAKE and EXHAUST

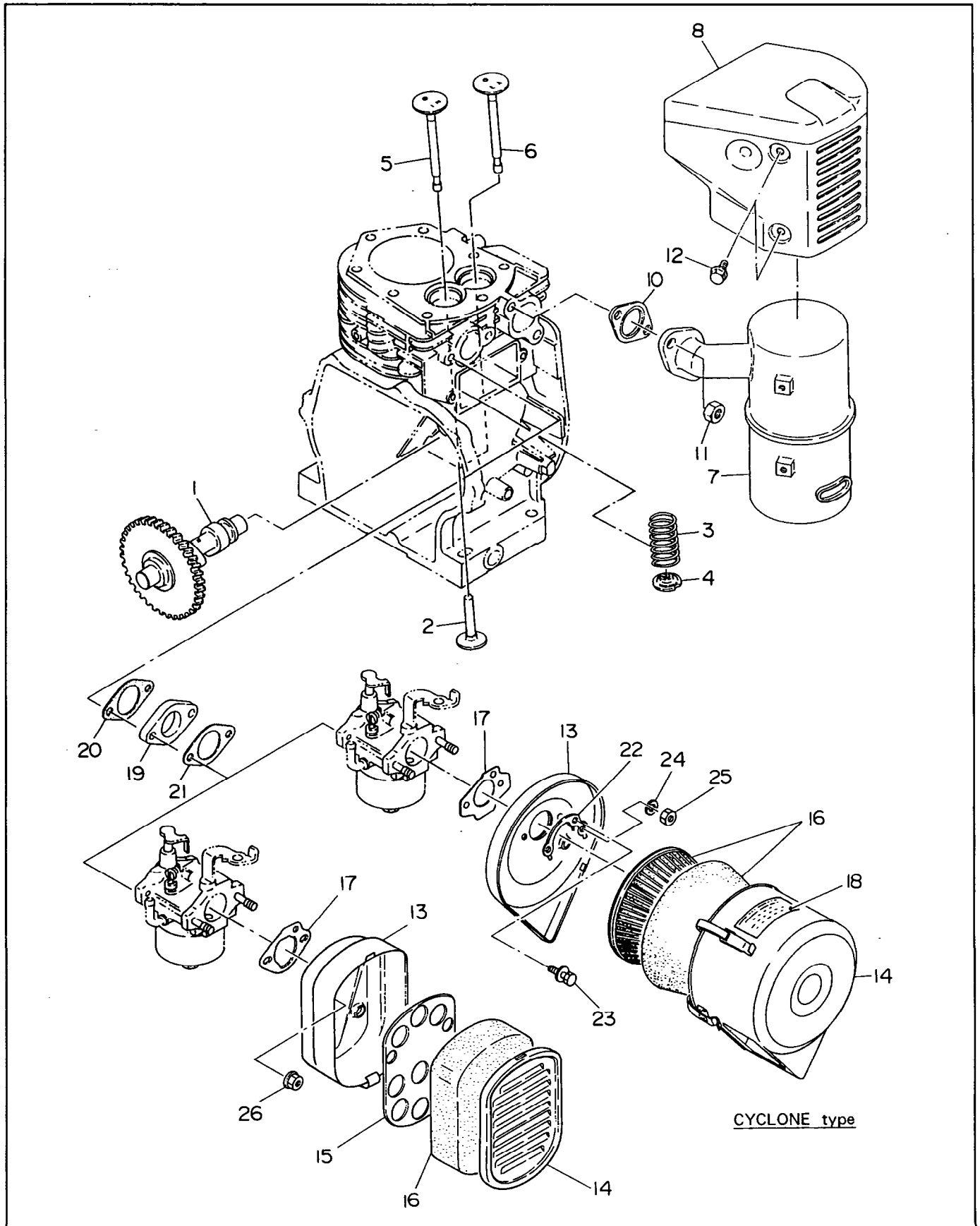


FIG. 5 GOVERNOR, OPERATE

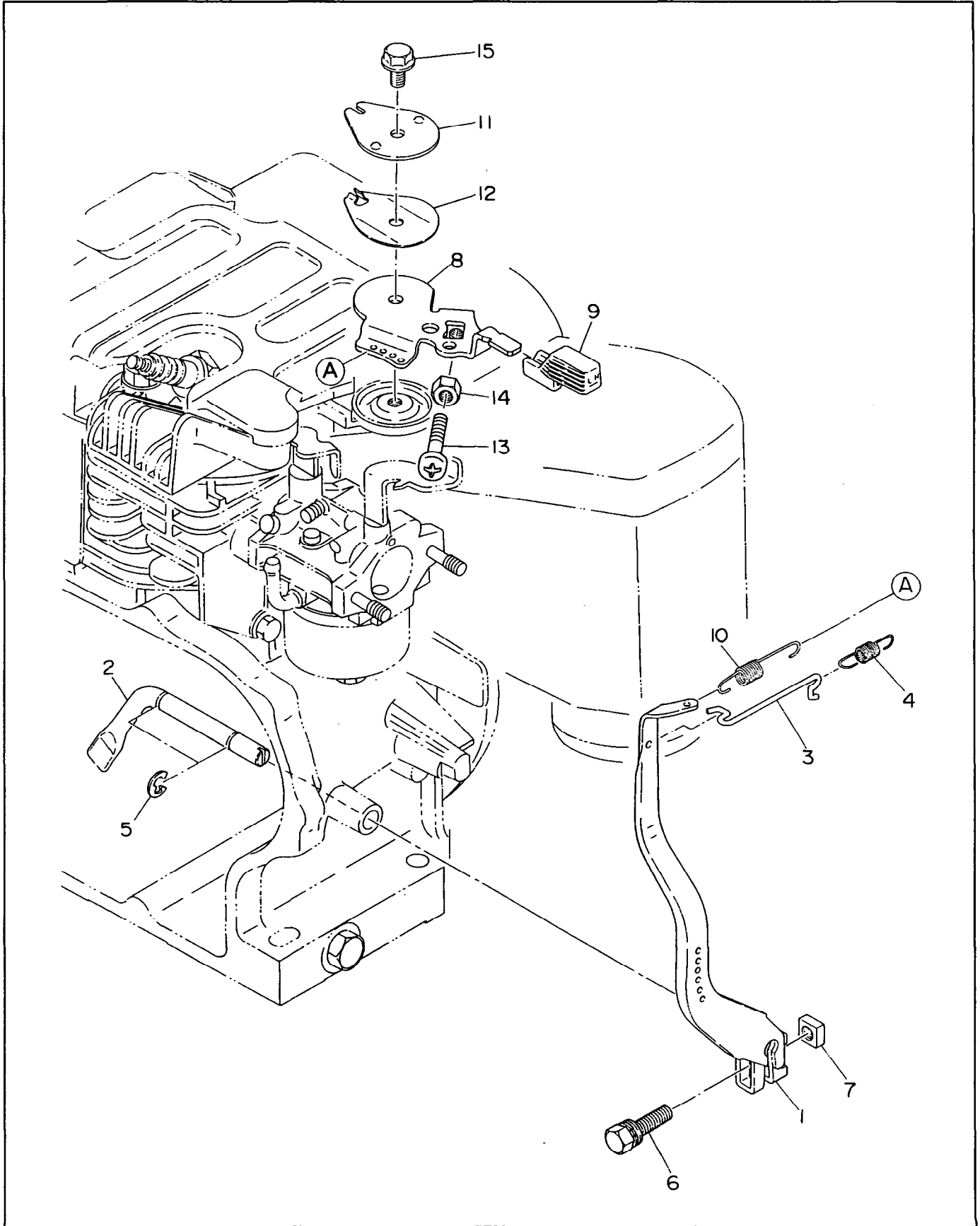


FIG. 6 COOLING and STARTING(UP TO APR. '89)

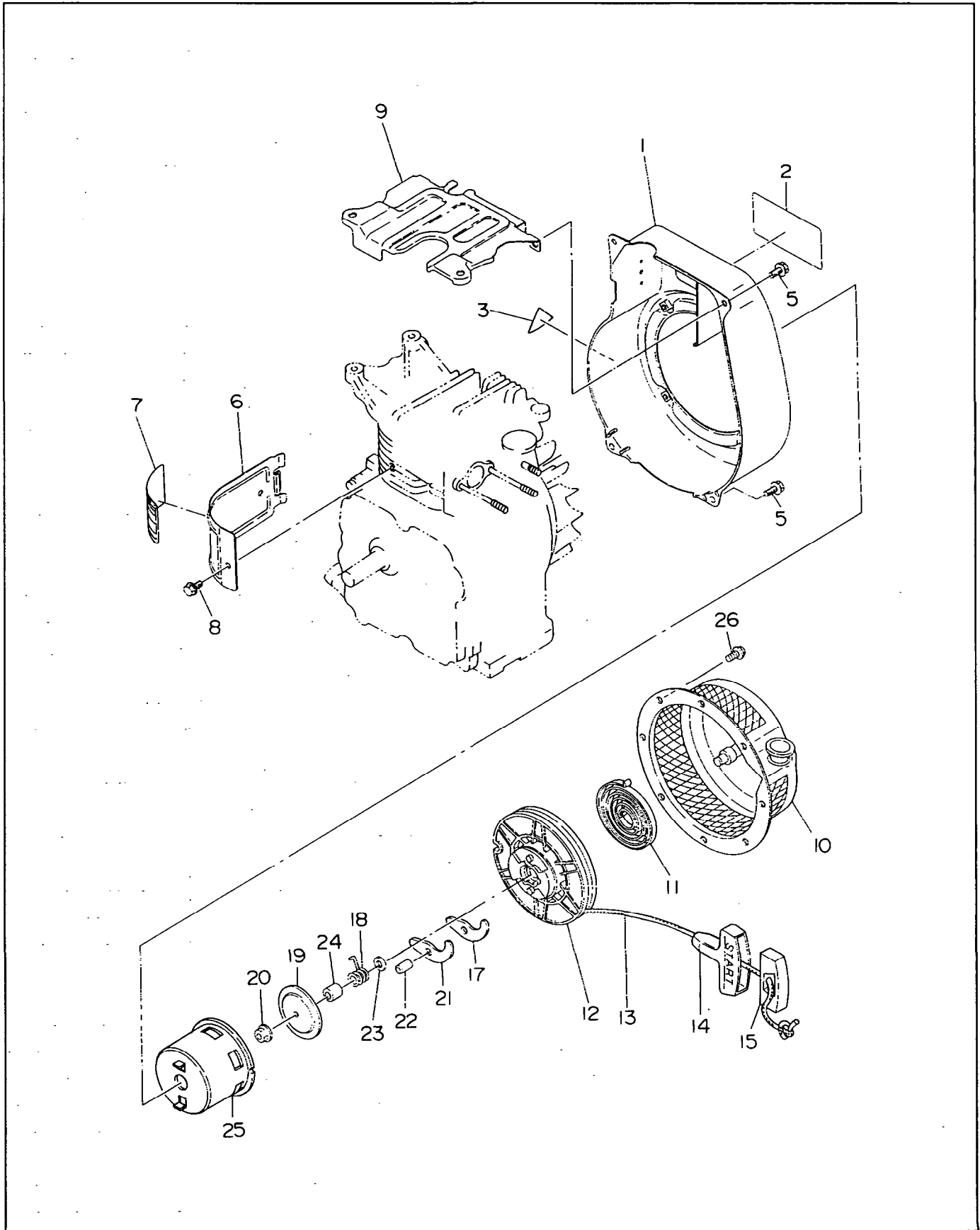


FIG. 6 COOLING and STARTING(AFTER MAY. '89)

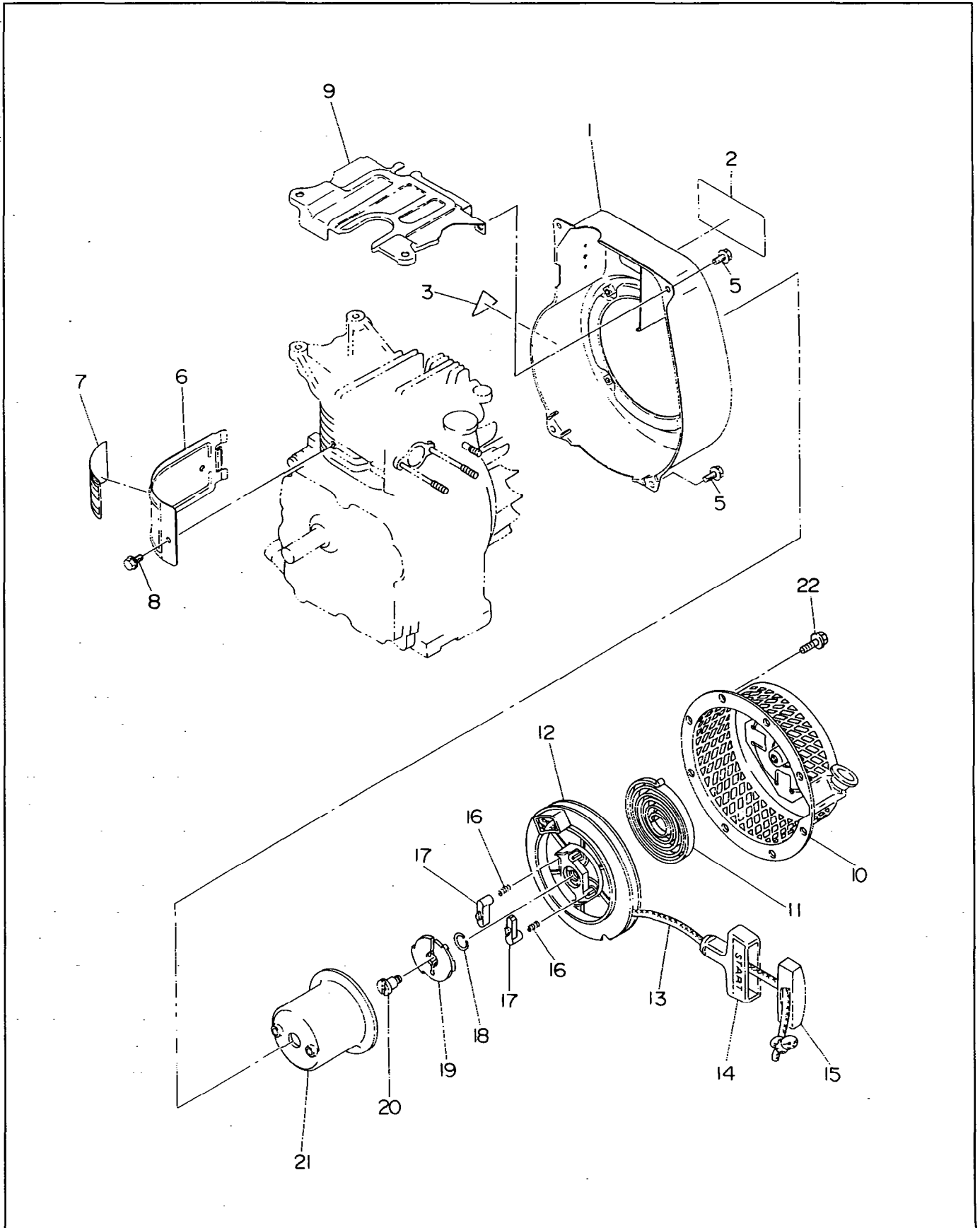


FIG. 7 FUEL, LUBRICANT

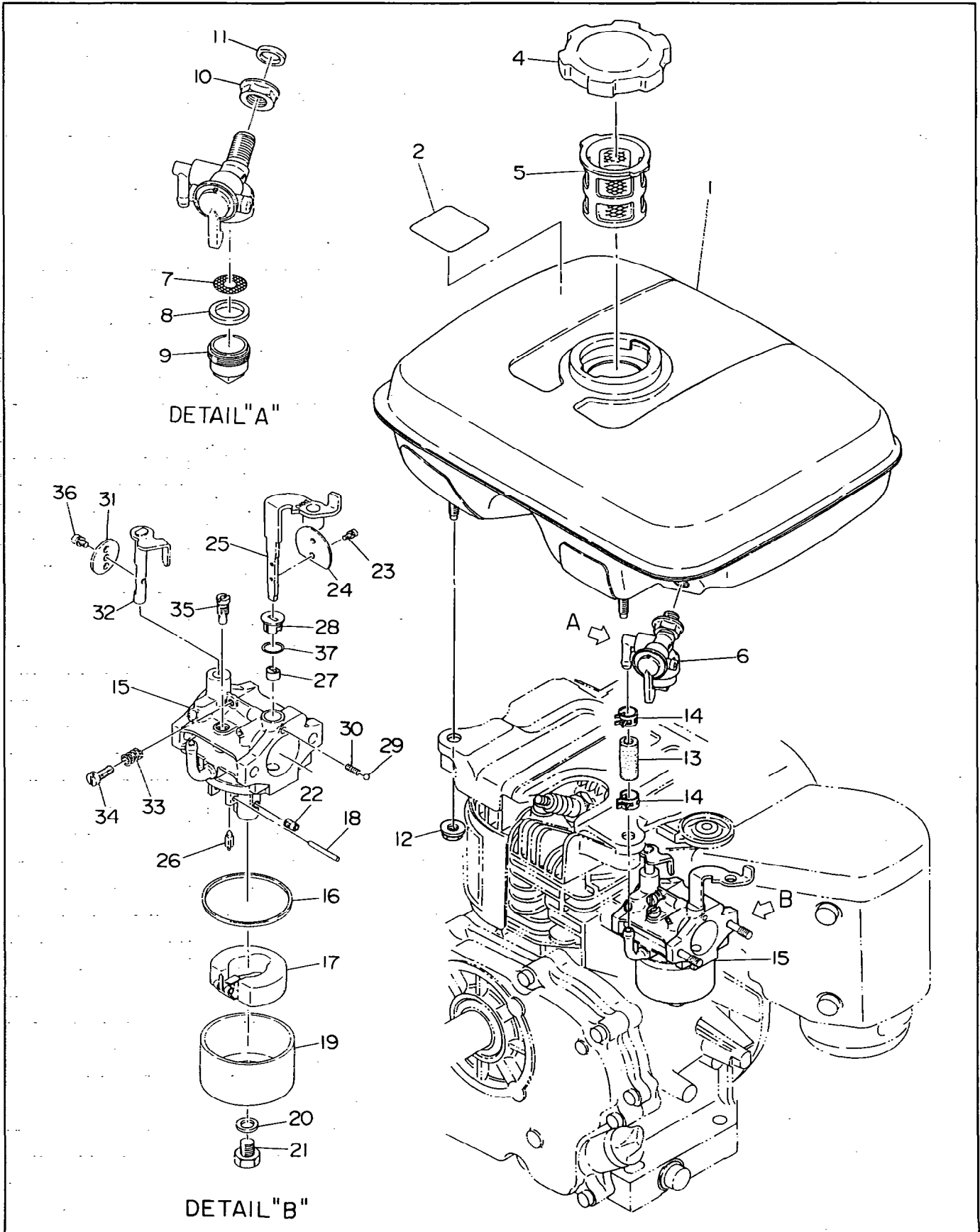


FIG. 7 FUEL, LUBRICANT

Interchangeability

Ref. No.	Parts Number	Description	Q'ty	Execution
* 1	227 - 60108 - 11	FUEL TANK, compl. Includes item 2	1	
2	073 - 20015 - 70	LABEL, oil caution	1	
4	043 - 04300 - 15	FUEL TANK CAP, compl.	1	
5	064 - 13600 - 10	FUEL FILTER	1	
* 6	064 - 20064 - 00	FUEL STRAINER ASS'Y Includes items 7 thru 11	1	
7	064 - 20064 - 20	SCREEN	1	
8	064 - 20064 - 10	RUBBER PACKING	1	
9	064 - 20042 - 10	CUP	1	
10	064 - 20064 - 30	NUT	1	
11	064 - 20064 - 40	RUBBER PACKING	1	
12	002 - 38060 - 00	FLANGE NUT	2	
*13	227 - 62640 - 01	FUEL PIPE, compl. Includes items 13 and 14	1	
13	085 - 10600 - 00	RUBBER PIPE (6 φ × 12 φ × 64mm)	1	
14	056 - 11100 - 20	HOSE CLAMP	2	
*15	227 - 62301 - 10	CARBURETOR ASS'Y Includes items 16 thru 36	1	
*15	227 - 62302 - 20	CARBURETOR ASS'Y Includes itmes 16 thru 37 for Cyclone type AIR CLEANER	1	
*15	227 - 62302 - 10	CARBURETOR ASS'Y Includes itmes 16 thru 37 for Cyclone type AIR CLEANER	1	
16	214 - 62540 - 08	FLOAT CHAMBER PACKING	1	
17	226 - 62506 - 08	FLOAT ASS'Y	1	
18	214 - 62515 - 08	FLOAT PIN	1	
19	227 - 62558 - 08	FLOAT CHAMBER BODY	1	
20	214 - 62450 - 08	PACKING	1	
21	227 - 62451 - 08	BOLT	1	
22	227 - 62400 - 08	MAIN JET (# 75)	1	
23	237 - 62451 - 08	SCREW	2	
24	226 - 62525 - 08	CHOKE VALVE	1	
25	226 - 62520 - 18	CHOKE LEVER	1	
26	226 - 62500 - 08	NEEDLE VALVE ASS'Y	1	
27	226 - 62550 - 08	RING	1	
28	226 - 62551 - 08	RING	1	
29	209 - 62353 - 08	STEEL BALL	1	
30	209 - 62446 - 08	SPRING	1	
31	220 - 62535 - 08	THROTTLE VLAVE (# 165)	1	
32	226 - 62530 - 08	THROTTLE SHAFT ASS'Y	1	
32	226 - 62532 - 08	THROTTLE SHAFT ASS'Y for Cyclone type AIR CLEANER	1	
33	209 - 62445 - 08	SPRING	1	
34	209 - 62352 - 08	SCREW	1	
35	209 - 62420 - 08	PILOT JET (# 40)	1	
36	150 - 62356 - 08	SCREW	1	
37	227 - 62550 - 08	SEAL for Cyclone type AIR CLEANER	1	

FIG. 8 ELECTRIC DEVICE

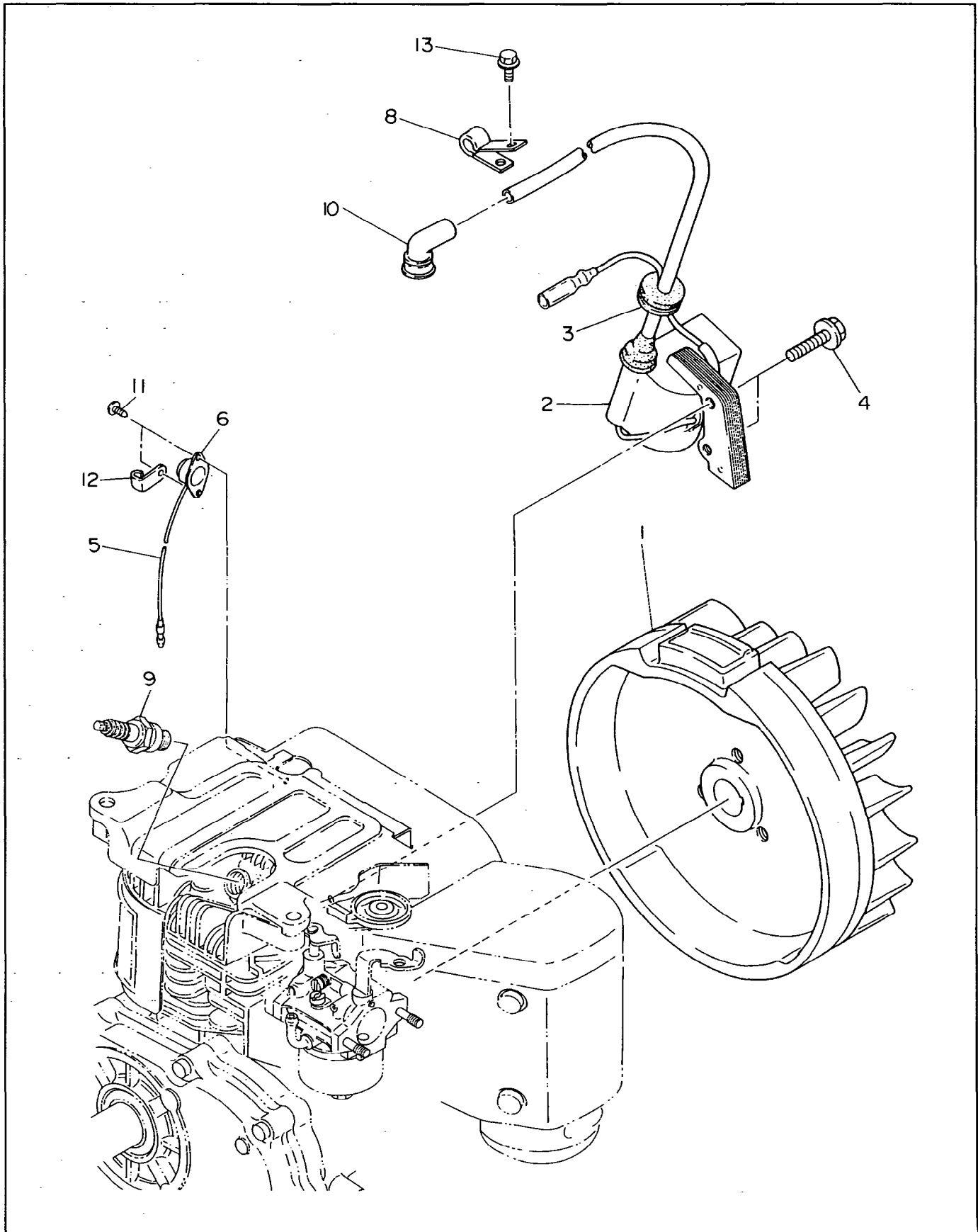


FIG. 9 OIL SENSOR(UP TO SEP. '92)

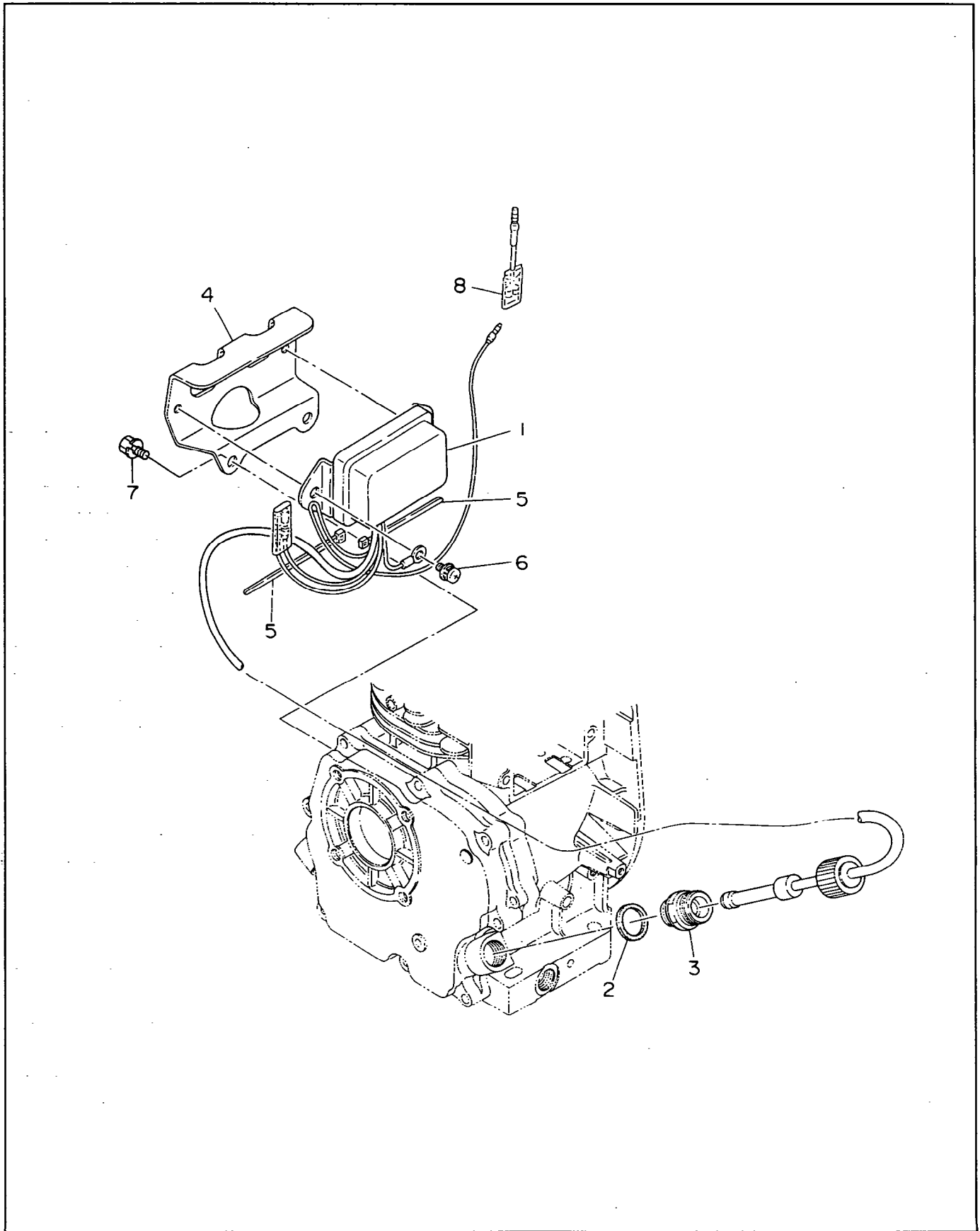


FIG. 9 OIL SENSOR(AFTER OCT. '92)

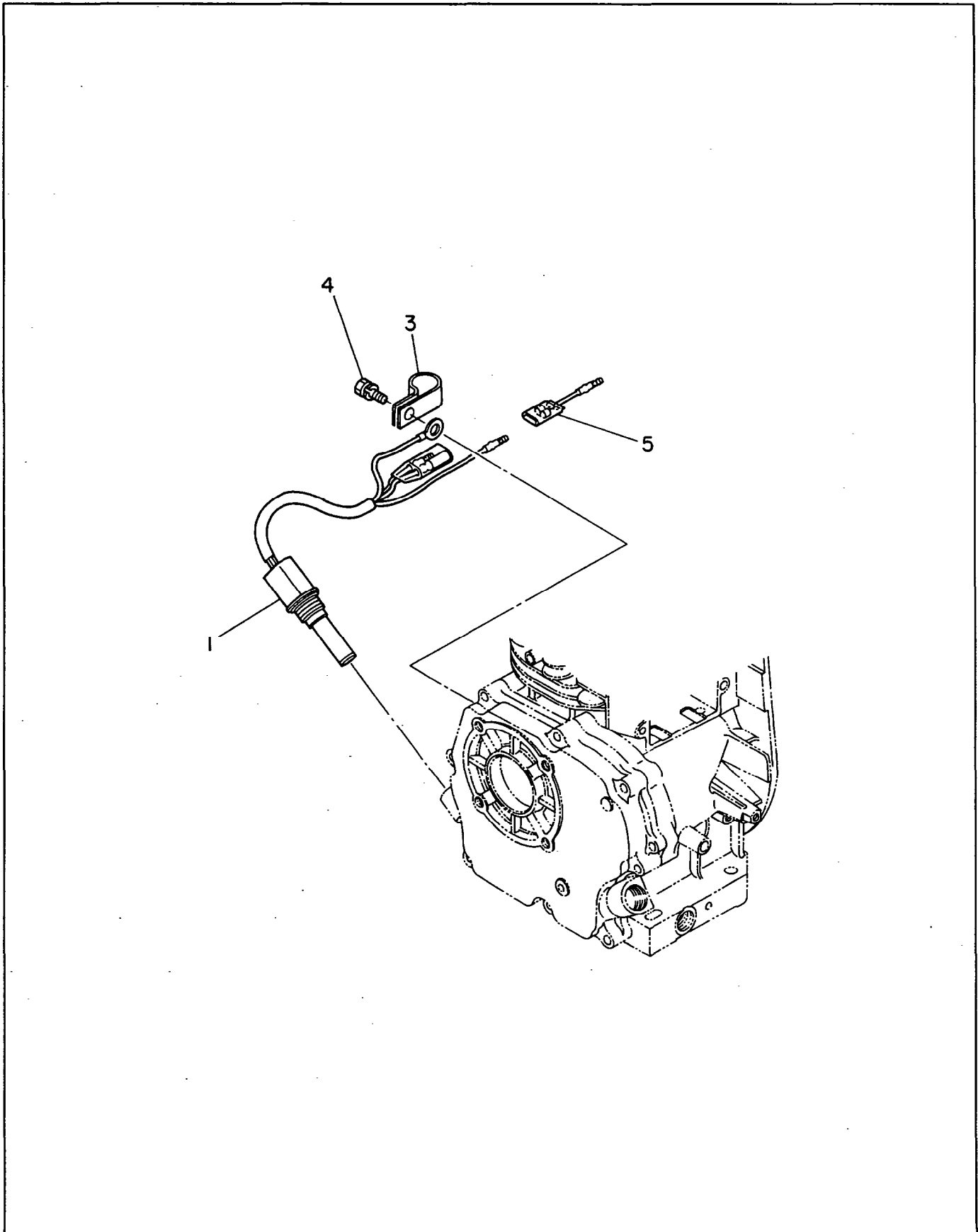


FIG. 10 ACCESSORIES

